

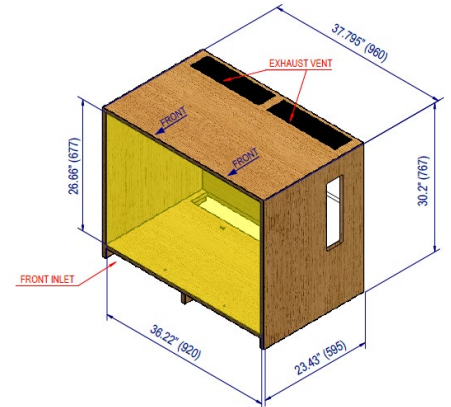


This document details the criteria necessary for proper ventilation and installation.

1. Ventilation – Basic Principles

Ventilation occurs by convection. Convection is the movement of air caused by the tendency of hotter and less dense air to rise, and colder, denser air to sink under the influence of gravity, which consequently results in transfer of heat. See recommendations in 1.1 through 1.4 on how to achieve adequate ventilation.

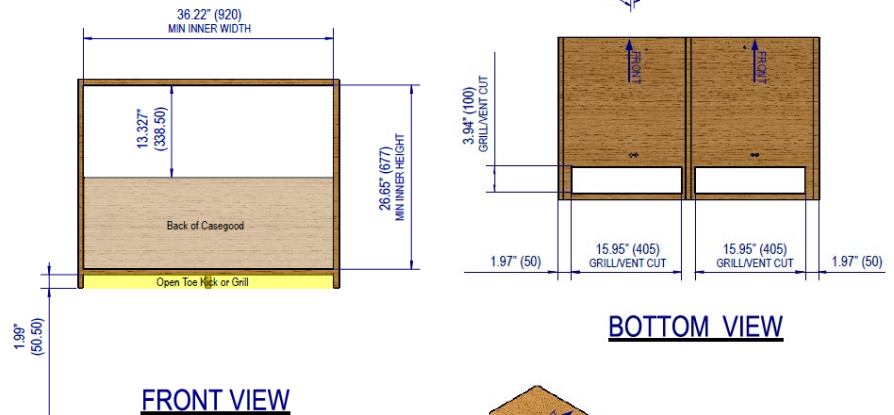
Minibar Systems would like to stress that proper ventilation and installation of the minibar is imperative to ensure efficient operation of the cooling unit. If these conditions are not met, the warranty may be voided.



1.1 Inlet Front Ventilation (Toe Kick)

The inlet vent(s) must have a minimum open area of 48 in² to comply with specifications. This is based on a typical guest room environment of 77° F (25° C) with a relative humidity of no more than 65%. The inlet vent can be provided in any of the following configurations:

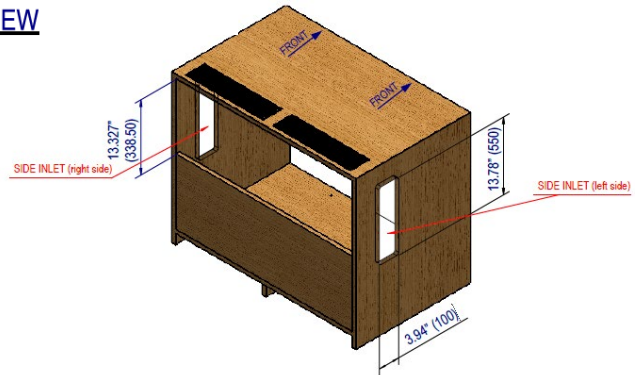
- i) A cutout in the toe kick
- ii) A series of slots in the toe kick
- iii) A grill in the toe kick
- iv) An arched opening in the toe kick



Note: Minibar prefers that a door not be installed in front of the SmartCube

1.2 Casegood Base Ventilation Cutout (Bottom Inlet)

The cabinet bottom is to be cut away directly behind and below the cooling unit. The shelf cutout must have a minimum open area of 80 in². The easiest way to accomplish the required ventilation is to cut away across the complete width and extend the cut out back to the rear of the case good.

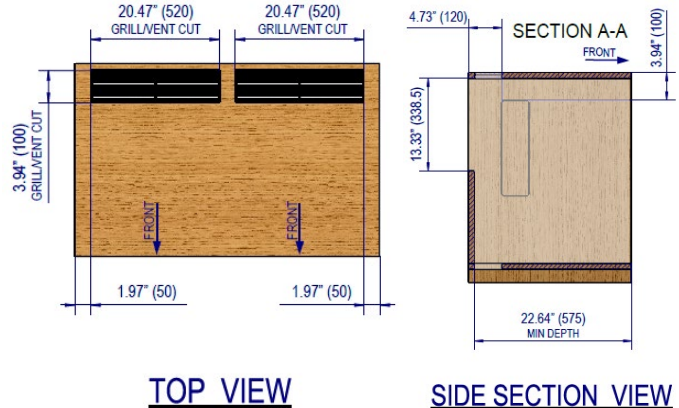


1.3 Side Inlet Ventilation

Side inlets should be cut to a minimum open area of 50 in². It is recommended to have two side inlets but at a minimum of at least one inlet should be used.

1.4 Exhaust Ventilation

1. Top Exhaust Ventilation – Grill/Vent cut out on top for trapped heat to escape
2. Back Exhaust ventilation – Cut out in the back allowing trapped heat to escape. Note: ventilation from behind is preferred and requires a minimum 2 in air gap behind the casegood for exhaust flow.



Heated air rises. If exhaust ventilation is not located high enough in the cabinet warm air will be trapped causing the cooling unit to malfunction. The exhaust vent(s) must have a minimum open area of 31 in² (200 cm²) to comply with specifications. The exhaust vent(s) can be provided in any of the following configurations:

- i) A series of slots or a grill in the top (see above diagram Option 1)
- ii) A series of slots or a grill in the back at the top (see above diagram Option 2)
- iii) If the design will not permit the use of slots or grills, the unit can be spaced 2" (50.8 mm) from the wall to allow exhaust. It is recommended that spacers be used to prevent the case good from being pushed against the wall. In this instance the back of the case good housing the minibar must be cut away completely. The underside of the shelf above the minibar must be flat so no obstruction is caused to the airflow.

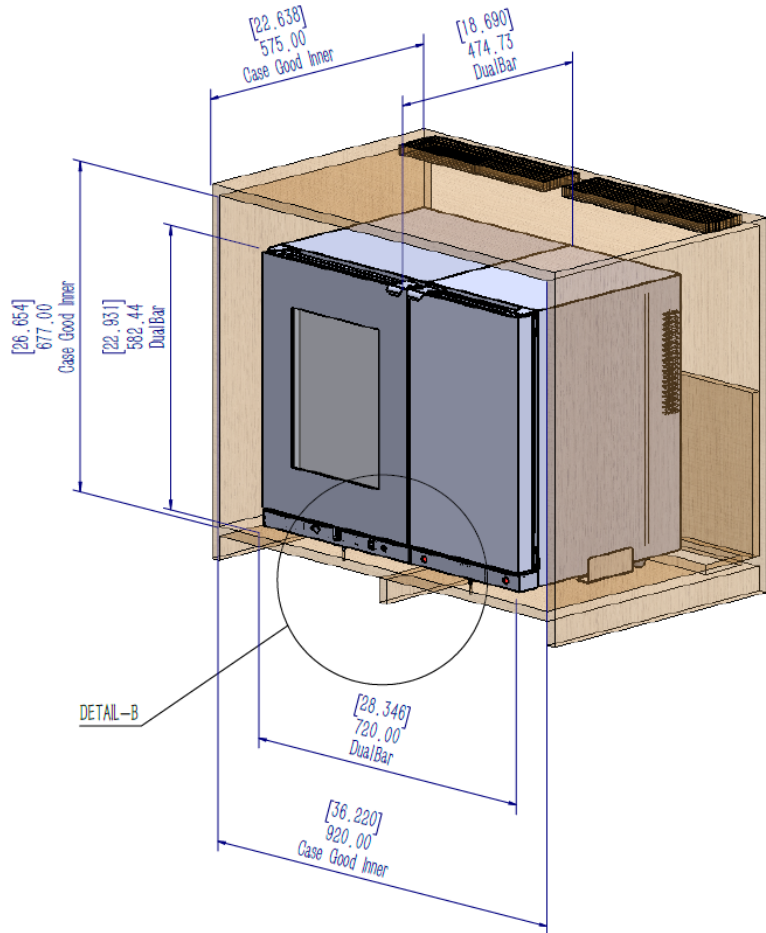
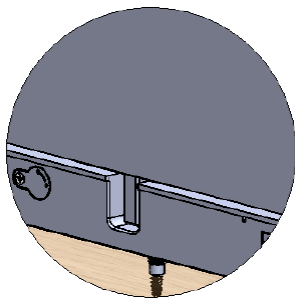
The exhaust vent must exit into free space in the guest room. *It must not vent into an enclosed space such as a closet, case good or ceiling void, as the heat will be trapped. The minibar must not be placed against a heating radiator, window, curtains, or in direct sunlight. Ventilation grills or slots must not be covered. Please contact Minibar Systems for review of your case good drawings to ensure your design meets the Minibar and SmartCube Case Good Specifications. If these ventilation requirements are not met, the warranty is void.* The casegood documents can be found on the minibarsystems.com website on the respective product page.

2. Securing to Casegood and Installing Anti-Tilt

2.1 Secure to casegood Base

The SmartCube should be securely mounted by the front to the casegood cabinet bottom using the provided hardware.

2.2 Close up detail





2.1 Installing Anti-Tilt Mounting Bracket

The SmartCube mounting bracket should be securely mounted by the back of the casegood cabinet bottom using the provided hardware.

Make sure the case good will be installed at least 2" away from the wall, (measured from the case good back to the wall)

2.2 Close up detail

